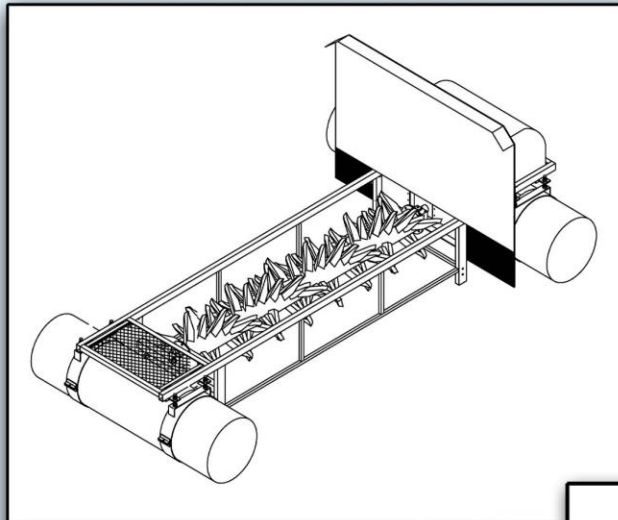


## Floating Brush Rotor Shields

All Shields are constructed from HDPE Marine Board

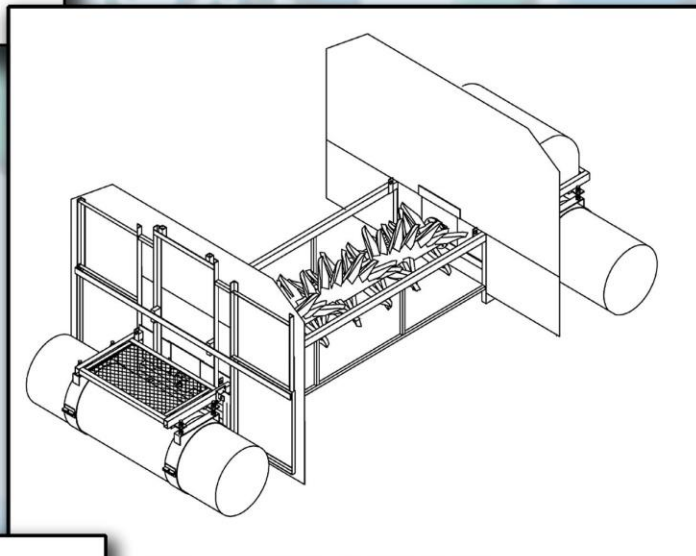


### Extended Vertical Shield (EVS)

- 8' wide shield provides a clean dry area around the drive assembly
- Minimizes ice buildup on the ends of the floats
- Standard on drive end and optional on tail end.

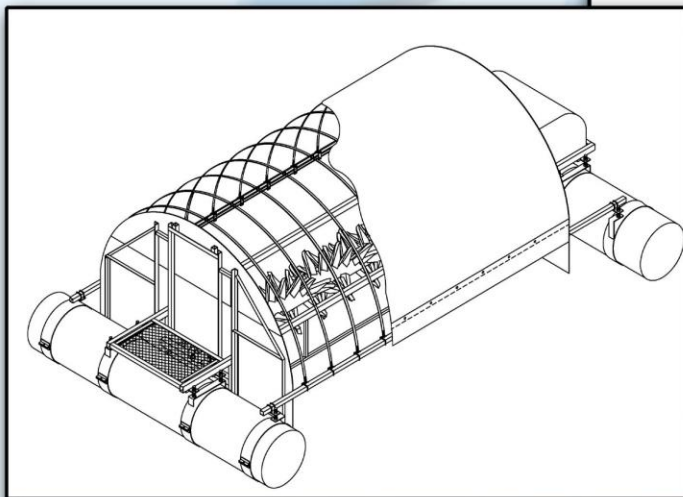
### Cold Weather Shield

- 10' wide shields designed for cold weather operation
- Provides a clean dry area around the ends of the unit



### Splash Containment Shields (SCS)

- 10' wide rounded shields designed for use with the rotor cover
- The Rotor Cover is used for aerosol containment and heat retention





# Extended Vertical Shield EVS



Drive End EVS  
with Drive Assembly Cover  
(standard on all 2200 & 1600 series  
FBR's)



Double EVS Shields

**The EVS deflects the rotor's discharge to reduce solids build up around the drive assembly area. The double EVS option is used mostly in ditch applications to contain the rotors spray and better protect both the drive and tail end platforms. 3.27.17**

