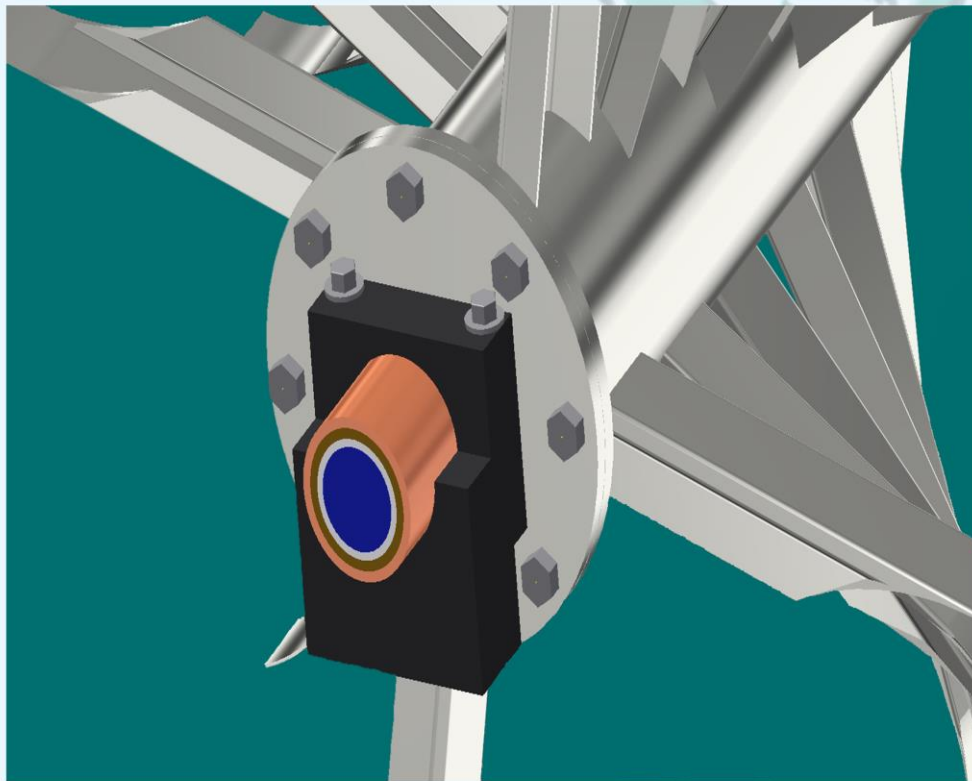




Maintenance Free **Waste Water Lubricated Bearing System**

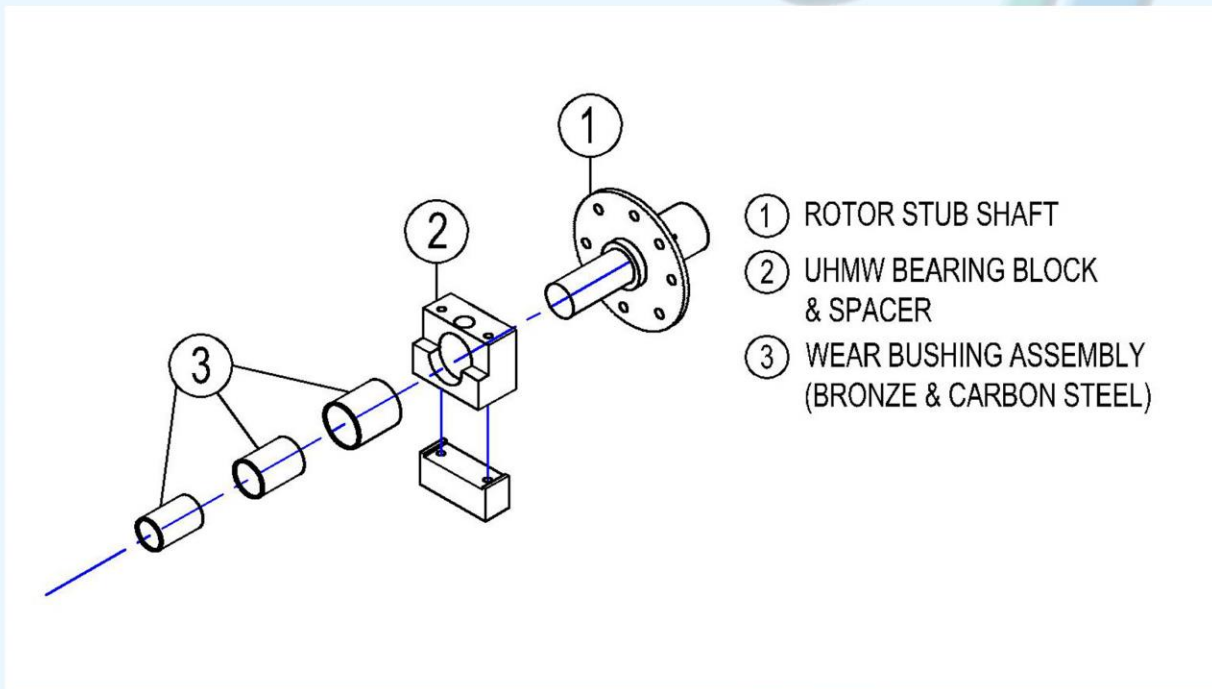


S&N Airoflo's Wastewater Lubricated Bearing vs. Mechanical Grease Lubricated Bearings

- * Less costly and eliminates unexpected catastrophic failures
- * No scheduled greasing required... visual inspections only
- * Carbon steel inner wear bushing serves as a visual indicator of wear levels

HOW IT WORKS

- * Wear bushings consist of bi-metal sleeves bonded to the rotor stub shaft using a heavy shrink fit.
- * Wear bushings typically consist of bronze outer sleeves & a single carbon steel inner sleeve for visual contrast.
- * Bronze outer sleeves wear against the mounted UHMW block, using wastewater for lubrication.
- * When the inner carbon steel sleeve is visible, a replacement should be scheduled to take place within four to six months under normal conditions.



Wear Life & Replacement

The Airoflo Wastewater Lubricated Bearings have been used in all WW applications... lagoons (since 1992), oxidation ditches (since 1997), plus EQ basins & digesters.

The **wear life** of the UHMW bearing assembly in an oxidation ditch is a direct reflection of grit control/removal. Normal wear life with some grit present will be + or - four years in activated sludge & up to 10 years in lagoon applications.

Other than normal solids makeup in a basin may cause accelerated wear. For more information please contact bnorris@airoflo.com

Replacement of Wear Bushings & Bearings

Full instructions on details of the **replacement procedures** are available in the O&M. The instructions are very detailed with color pictures as well as a tool list.

3.27.17