



**OPEN BASIN/LAGOON**

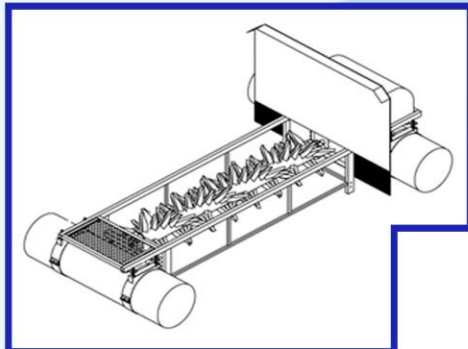
# 2200 Series Floating Brush Rotor

Available in Hot Dipped Galvanized  
or Stainless Steel - 5HP to 30 HP



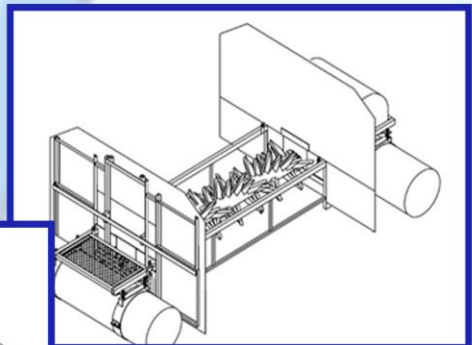
## INCREASED EFFICIENCY & LOWER OPERATING COST

- \* Increased treatment and energy savings of 30 to 60%
- \* Simple and predictable maintenance
- \* Excellent Mixing and O<sub>2</sub> transfer from one source
- \* Unique maintenance-free UHMW bearing

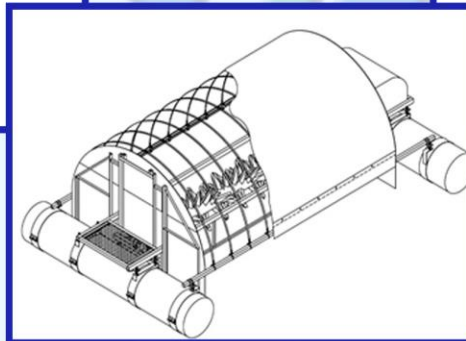


**Extended Vertical  
Shield (8' wide)  
Standard on  
Drive end, option  
on Tail end**

## SHIELDS



**Cold Weather  
Shield (CWS)  
10' wide**



**Splash Containment Shields  
with Rotor Cover (10' wide)**

**3.27.17**

**[www.airoflo.com](http://www.airoflo.com)**

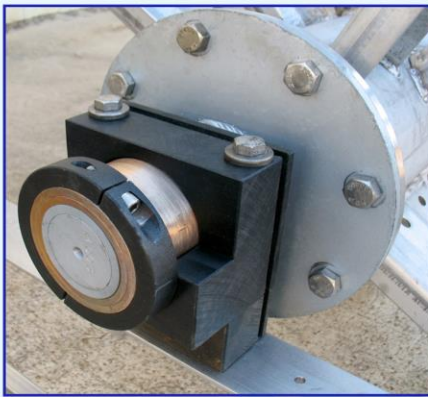


# FLEX DRIVE with Swing Plate Gear Mount



- \* Unique swing plate gear mount allows tri-axial movement to eliminate critical alignment issues.
- \* Elastomeric Coupling.
- \* "Floating Shaft Seal" prevents migration of waste water along the shaft to the gear reducer.

## Maintenance Free Bearing

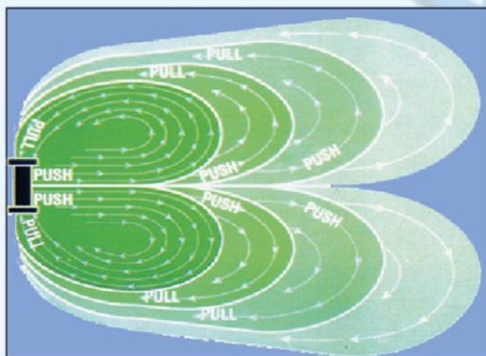


- \* Eliminates catastrophic bearing failure.
- \* Years of maintenance-free operation.
- \* Visual wear indicators.
- \* No grease required.

## Area of Influence - 15HP Floating Brush Rotor Verification of Increased DO Reading Establishes the Size of the Active Mixing Zone

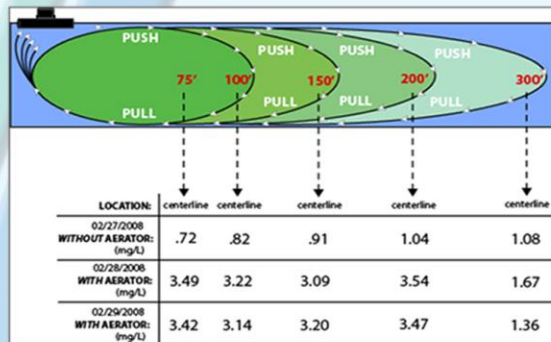
*Plan View*

*Elevation View*



250'

300'



**Buster Norris**  
**662.455.2804**

**3.27.17**

**[bnorris@airoflo.com](mailto:bnorris@airoflo.com)**